



SIGNLIGHTSLED™



PATENT

#10,465,860
#11,287,091,B2



DOUBLE SIDE LED SIGN TUBE GENERATION 2

KEY FEATURES

Innovative LED Technology in Sign Retrofitting.

Patented Technology

Designed to retrofit any Sign(any size) in less than 30 minutes.

Retrofit kit-Super bright, efficient LED light, light output over 700lm/ft.

Lower energy consumption and Maintenance free.

Internal Power Supply-No need for any External LED driver or ballast.

Heat Dissipation-Super heat dissipation structure, lower luminous decay, longer lifespan.

Two sides illumination-Circular Tube with two sided LEDs, creates a wider illumination and it's an ideal solution for Pylon & Monument Signs.

Multiple Size available for any of the application.

Available Sizes:

F18, F24, F30, F36, F42, F48, F60, F64, F72, F84, F96, F108, F117, F120

www.signlightled.com
info@signlightled.com

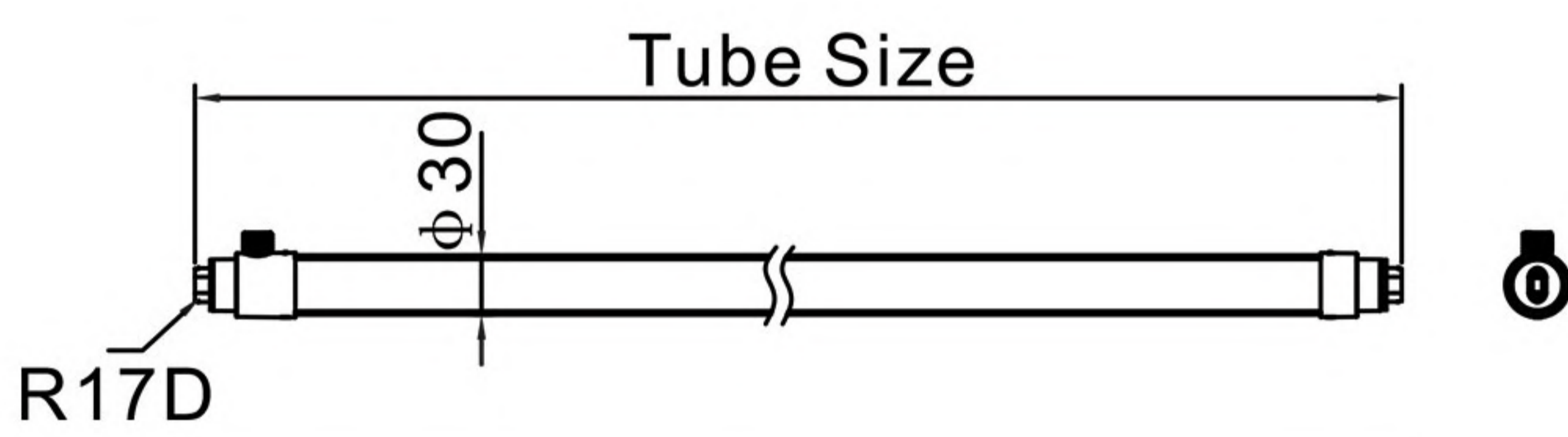
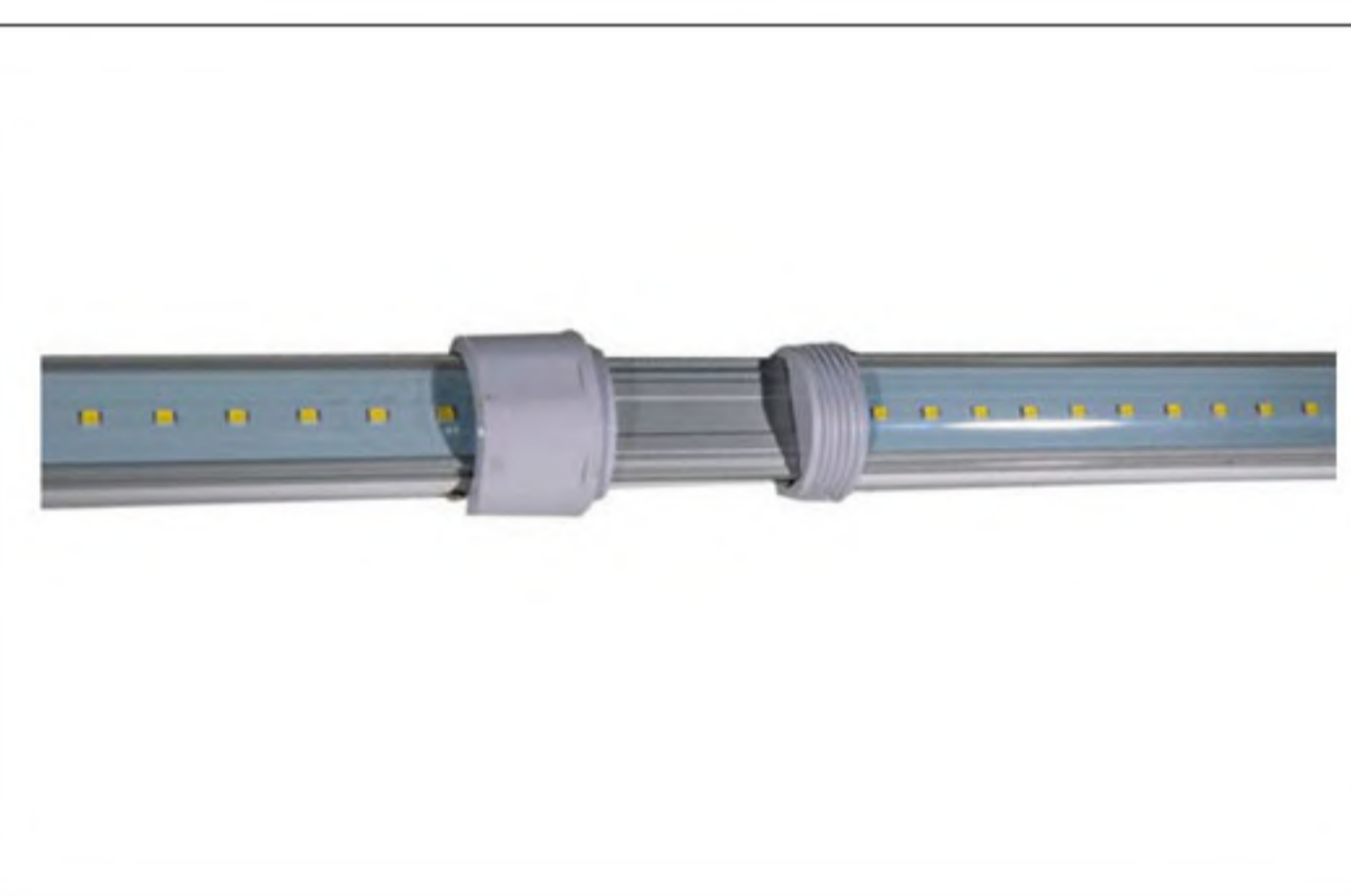
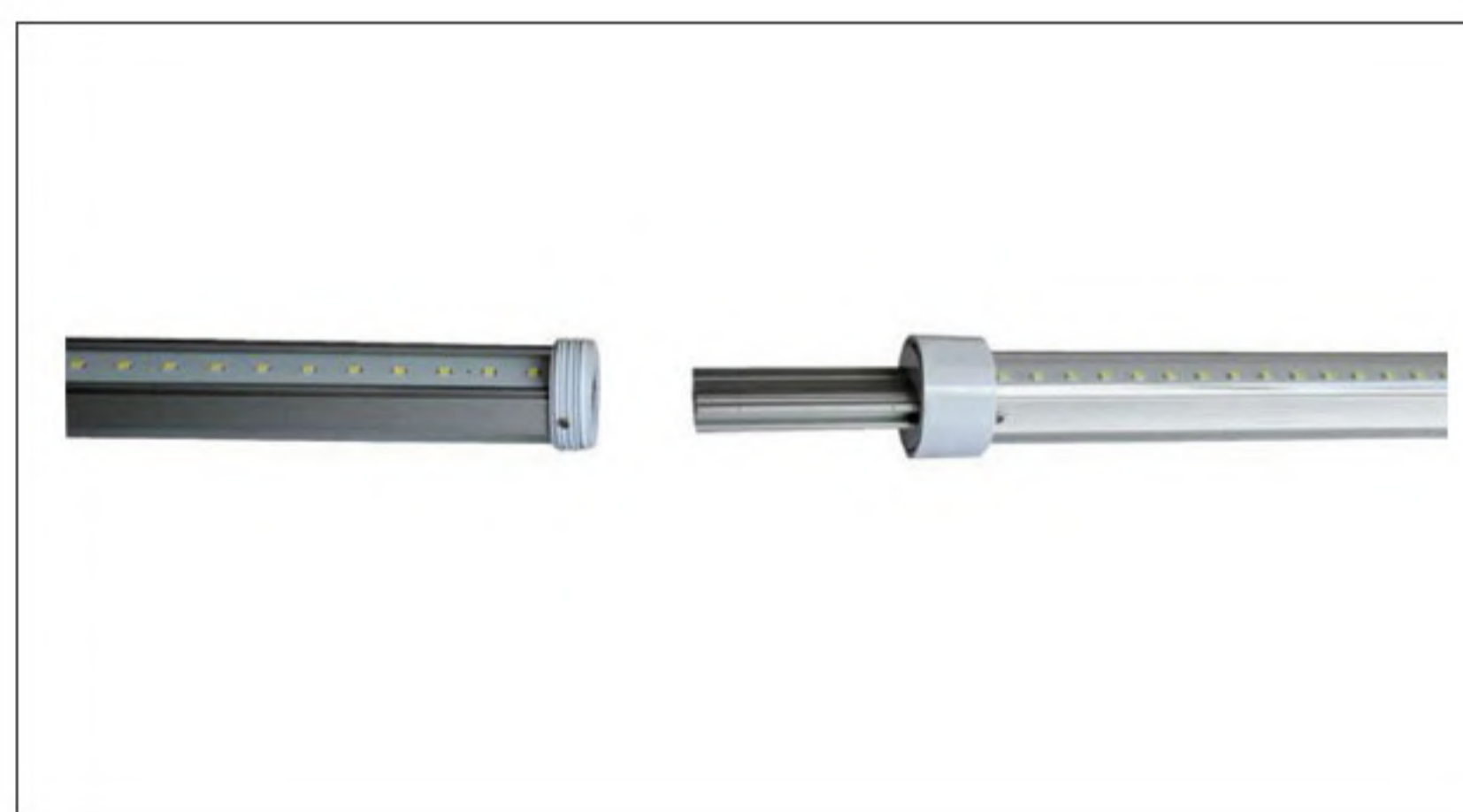
111 Preamble Ct., Anderson, SC 29621
864-372-2378

DOUBLE SIDE LED SIGN TUBE - GENERATION 2



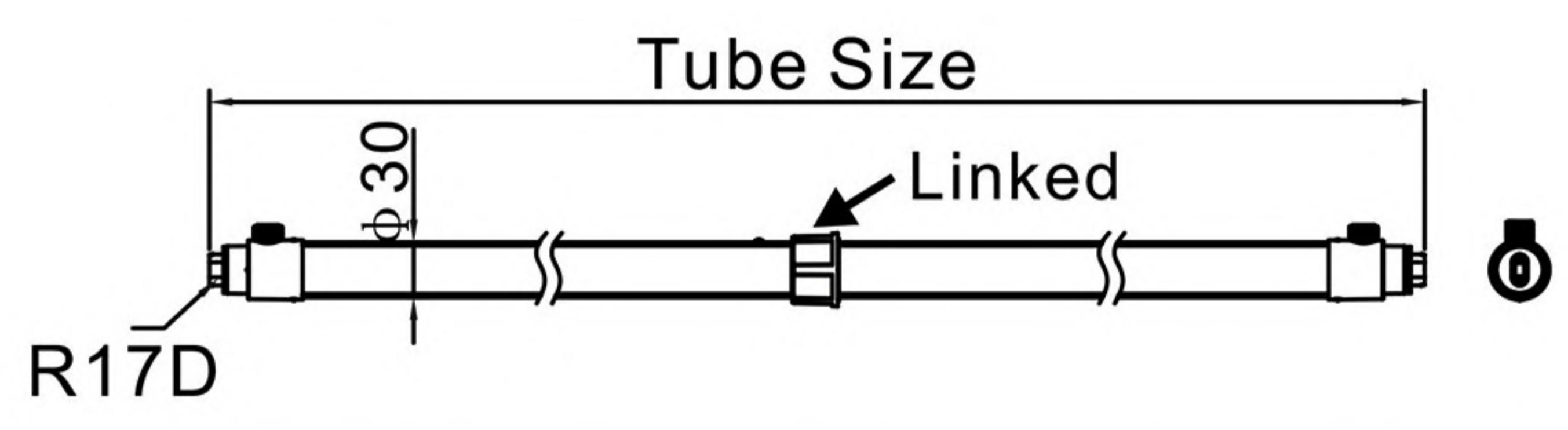
SPECIFICATIONS

Input Voltage	AC100-277V
Operating Frequency	50/60Hz
PF	>0.9
CCT	3500/4000/5000/6000K
CRI	80Ra
Power Efficiency	>90%
Rated Life	50,000Hrs
Warranty	5 Years



Sizes:

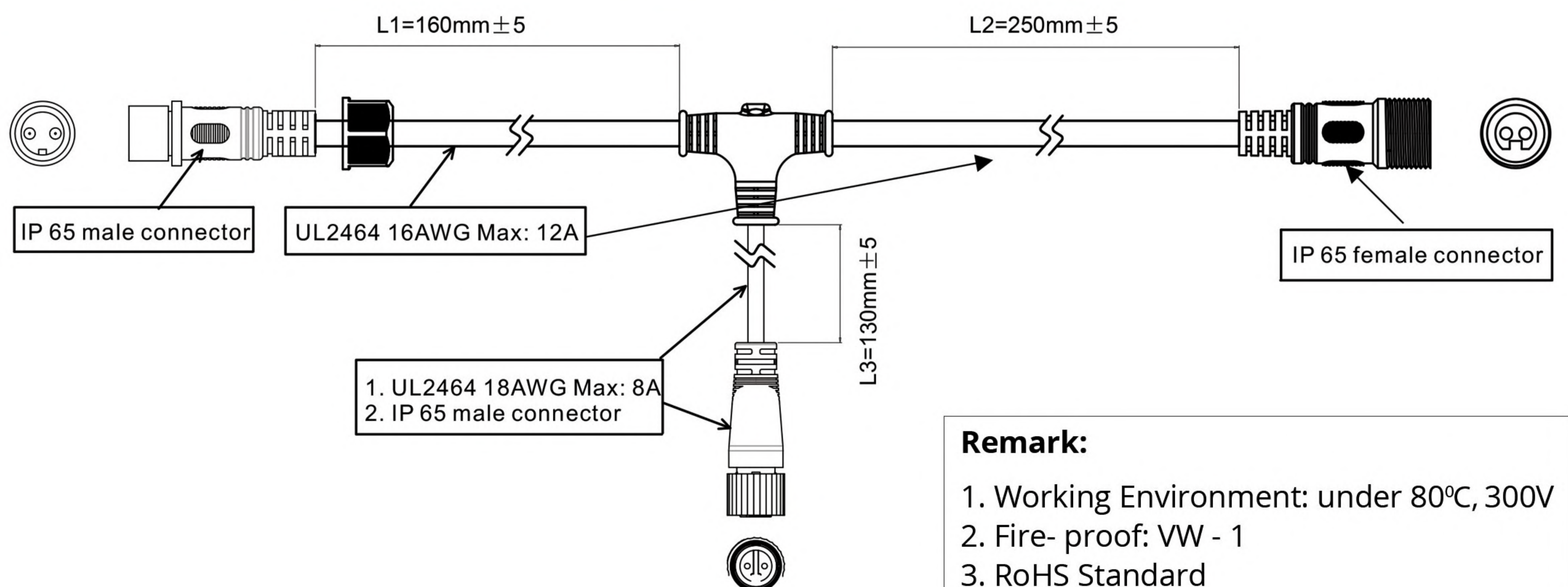
F18, F24, F30, F36, F42, F48, F60, F64, F72, F84, F96



Sizes:

F108, F117, F120 (2 Pcs Per Lamp) for Easy Shipping and Handling.

"T" CONNECTOR DIAGRAM



Remark:

1. Working Environment: under 80°C, 300V
2. Fire- proof: VW - 1
3. RoHS Standard

DOUBLE SIDE LED SIGN TUBE – GENERATION 2

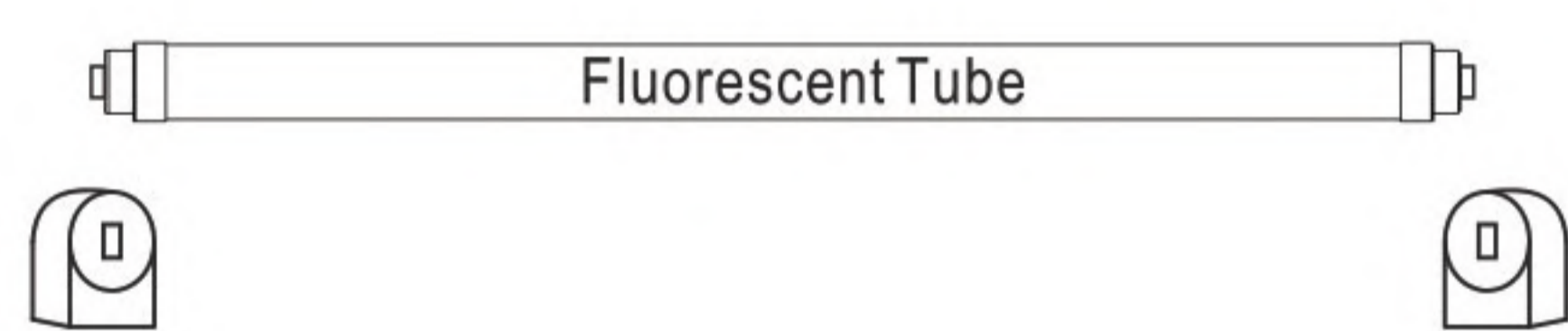
MODEL NAME	TUBE SIZE	INPUT VOLTAGE	WATTAGE	LUMENS	COVER
2SL07T10XX0450	F18	AC100-277V	7W	910lm	Clear
2SL13T10XX0600	F24	AC100-277V	13W	1560lm	Clear
2SL13T10XX0750	F30	AC100-277V	13W	1690lm	Clear
2SL16T10XX0900	F36	AC100-277V	16W	2080lm	Clear
2SL21T10XX1050	F42	AC100-277V	21W	2700lm	Clear
2SL21T10XX1200	F48	AC100-277V	21W	2730lm	Clear
2SL28T10XX1500	F60	AC100-277V	28W	3640lm	Clear
2SL28T10XX1600	F64	AC100-277V	38W	3640lm	Clear
2SL38T10XX1800	F72	AC100-277V	38W	4750lm	Clear
2SL38T10XX2100	F84	AC100-277V	38W	4750lm	Clear
2SL51T10XX2475	F96	AC100-277V	51W	6630lm	Clear
2SL51T10XX2700	F108	AC100-277V	51W	6630lm	Clear
2SL60T10XX2925	F117	AC100-277V	60W	8450lm	Clear
2SL60T10XX3000	F120	AC100-277V	60W	8450lm	Clear

* "XX" in the Model Name represents CCT (3500K, 4000K, 5000K,6000K)(In Stock 6000K)

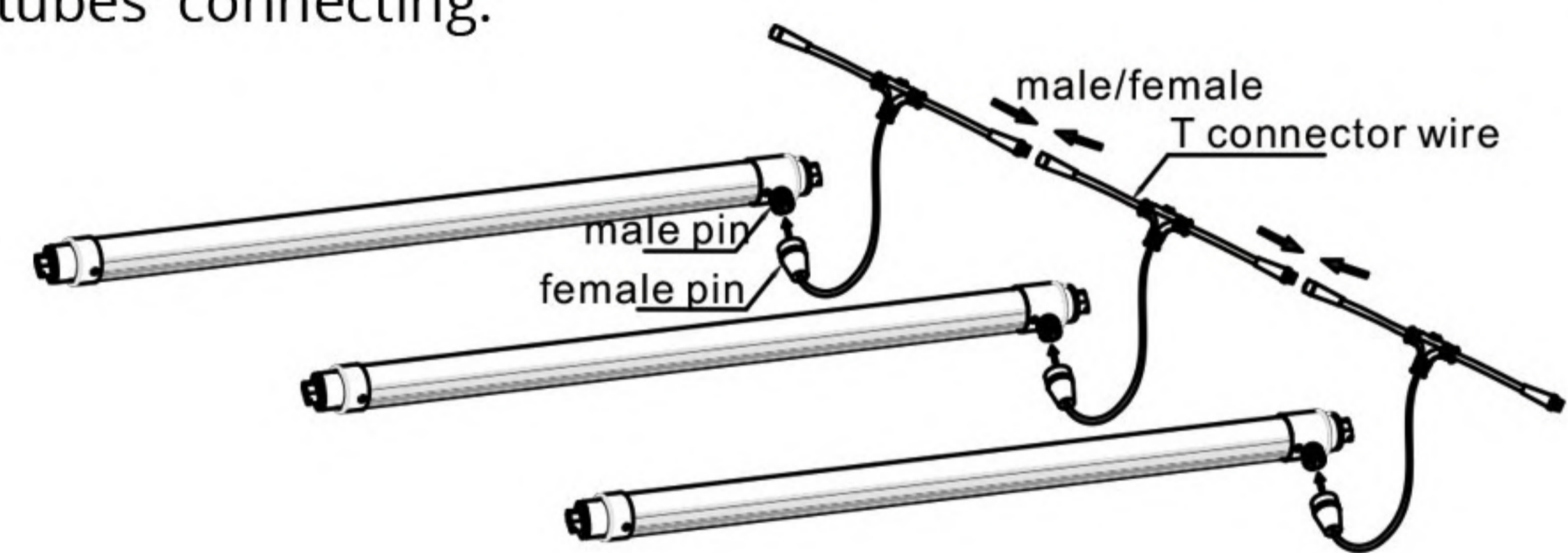
***FIXTURE SIZES ARE PERFECTLY MATCHED WITH EXISTING TUBES ,FOR HASSLEFREE INSTALLATION.**

INSTALLATION INSTRUCTION

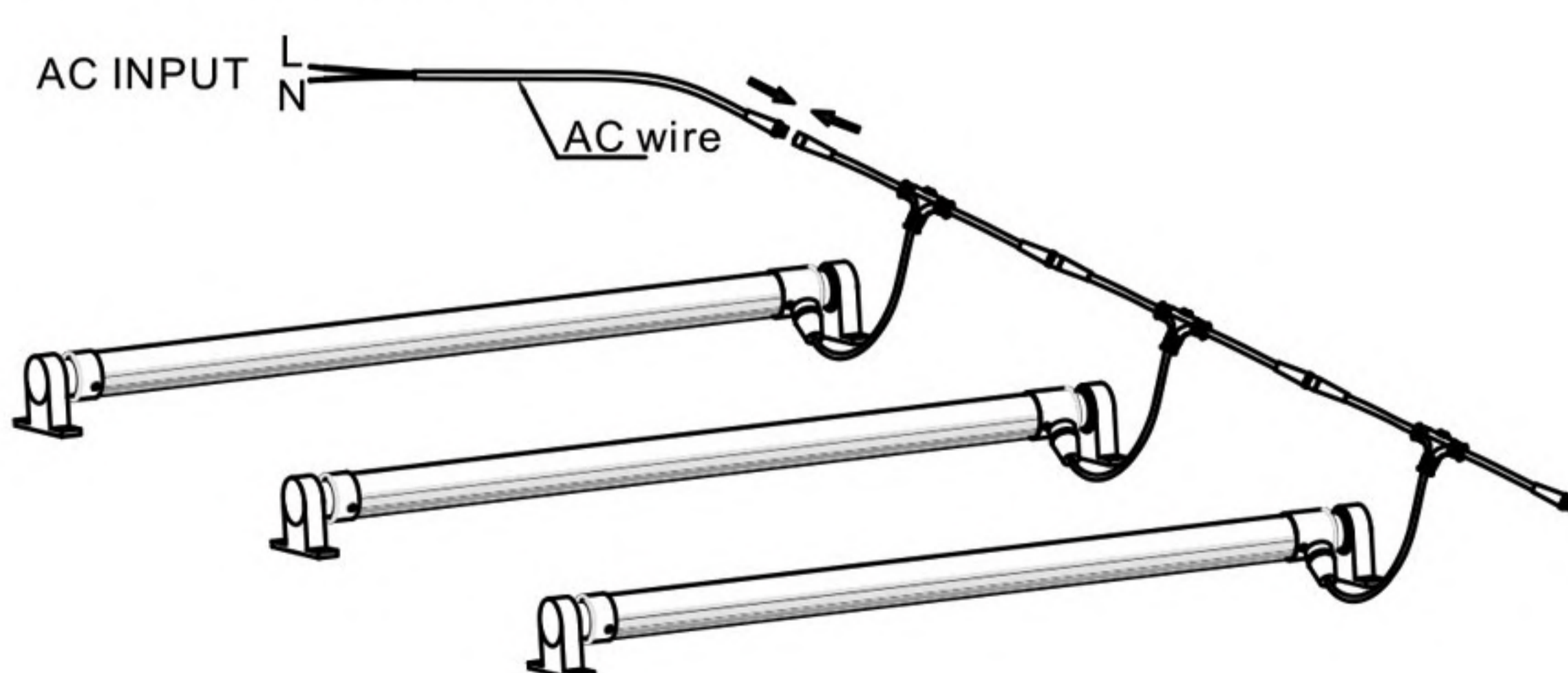
1. Cut off the Power. Remove the diffuser (if applicable) and fluorescent lamp. Cut off all the wires going to the tombstones as new tubes are not getting any power from Ends.



2. Connect the Sign LED tubes(male pin) and T connector wires (female) together as shown below. Customer must choose suitable wires(follow vendor's suggestion) to fit different qty of tubes' connecting.



3. Install Sign LED Tube in place(bracket) and connect the Input AC wire as shown below.



4. FIXTURES ARE NOT GETTING ANY POWER FROM THE END.

5. Can be connected 15pcs in series.

Warning: Please make sure power off before installation